



GLASS SUPPORTED DROP WIRE – 6 PAIRS

Product Number	Weight (Lbs/Kft)	Length (Feet)	Packaging
2090013	80	3500	Reel
2090056	80	2500	Reel
2090051	80	1000	Reel
2090055	80	500	Coil
2090014	80	400	Coil
2090018	80	400	Reelex box

CORE CONSTRUCTION

Conductors		
22 AWG solid annealed copper		
Insulation		
Color-coded high density polyethylene		
Assembly		
6 twisted pairs and rip cord placed parallel between the glass strength members		
The two twisted pairs are color coded as follows:		
<u>Pair No.</u>	<u>Tip Conductor</u>	<u>Ring Conductor</u>
1	White/Blue	Blue
2	White/Orange	Orange
3	White/Green	Green
4	White/Brown	Brown
5	White/Slate	Slate
6	Red	Blue/Red
Jacket		
Black, flame retardant weather and abrasion resistant PVC compound extruded over core assembly		

APPLICATION(S)

- Self supporting drop wire intended for aerial service connection to the subscriber
- Compatible with "P" Clamp/Wedge type hardware
- Glass strength member is lightweight, easy to install
- No need for support wire grounding
- Not affected by salt air and corrosive

COMPLIANCE

- Telecordia (Bellcore) Specification GR-3163-CORE
- RDUP Bulletin 1753 F-204
- RoHS Compliant (effective 1/1/10)

TEMPERATURE RATING

- Storage and operation temperature range
-45°C to 80°C-> -49°F to 176°F
- Installation temperature range
-30°C to 60°C-> -22°F to 140°F

Data subject to change without notice.
Contact your Customer Service Representative for latest information.



PHYSICAL REQUIREMENTS

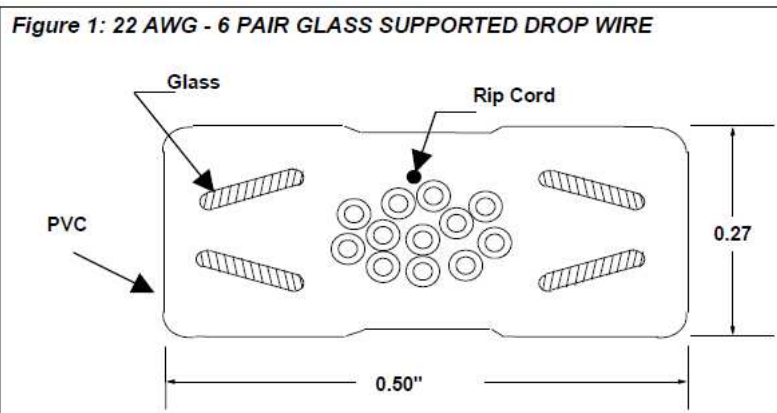
Cold Bend
After aging for 7 days at $100 \pm 2^\circ\text{C}$ a sample of completed wire and a 5/8 inch mandrel are conditioned at $-30 \pm 2^\circ\text{C}$ for four hours. Immediately after conditioning, the sample is bent four close turns around the mandrel at a rate of approximately sixty turns per minute. The insulation and jacket must show no cracks when examined under normal vision.
Flammability
A sample of completed wire must be capable of passing the VW-1 Flame Test per UL-1581.
Static Load
A sample of completed wire is held with two wire clamps having a one foot minimum separation between the clamps and the wire. The wire is extended beyond each clamp approximately six inches. This assembly, after being subjected to a load of 475 pounds minimum for a period of twenty-four hours, must show no failures. After the Static Load Test the sample must withstand 10,000VAC between conductors and between conductors and clamps.

ELECTRICAL CHARACTERISTICS

DC Conductor Resistance: [max.] Ohms/mile @ 20°C	
Individual Conductor	91.0
DC Resistance Unbalance: [max.]	
Individual Pair Percent	5.0
Attenuation at 772 kHz: [max.] dB/kft @ 20°C	5.1
1 kHz Mutual Capacitance: [avg.]	
Nf/mile	83 ± 7
1 kHz Capacitance Unbal. [max.] pf/kft	
individual	80
Output to Output FEXT (min.) dB/Kft @ 150 KHz	
-Worst Pair Combination	63
Input to Input NEXT (min.): dB @ 772 KHz	
-Worst Pair Combination	48

PACKAGING

- Available in Pull-Pac™ cartons (PP), coils (CL), reels (RL) and reelsaver (RS)
- Glass Supported Drop Wire is supplied as specified in nominal lengths in Reelex payout boxes
- Boxes are shipped on pallets covered by stretch or shrink wrapping material.



Note: These telecommunications wire items have sequential markings

Data subject to change without notice.
Contact your Customer Service Representative for latest information.